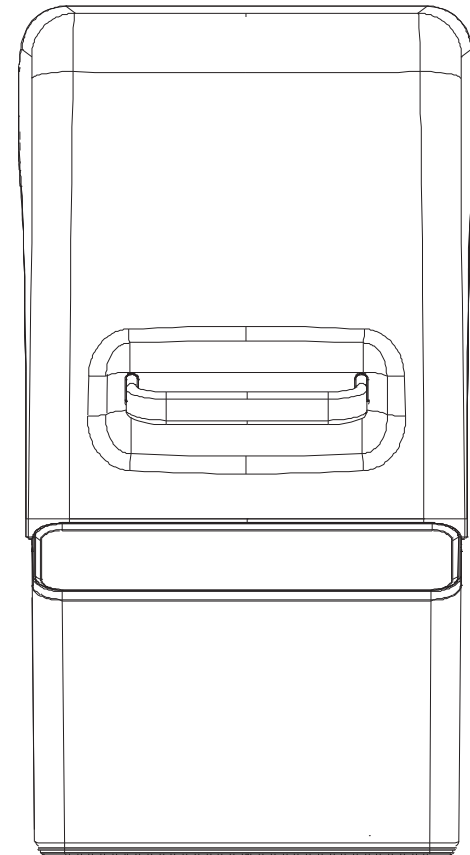


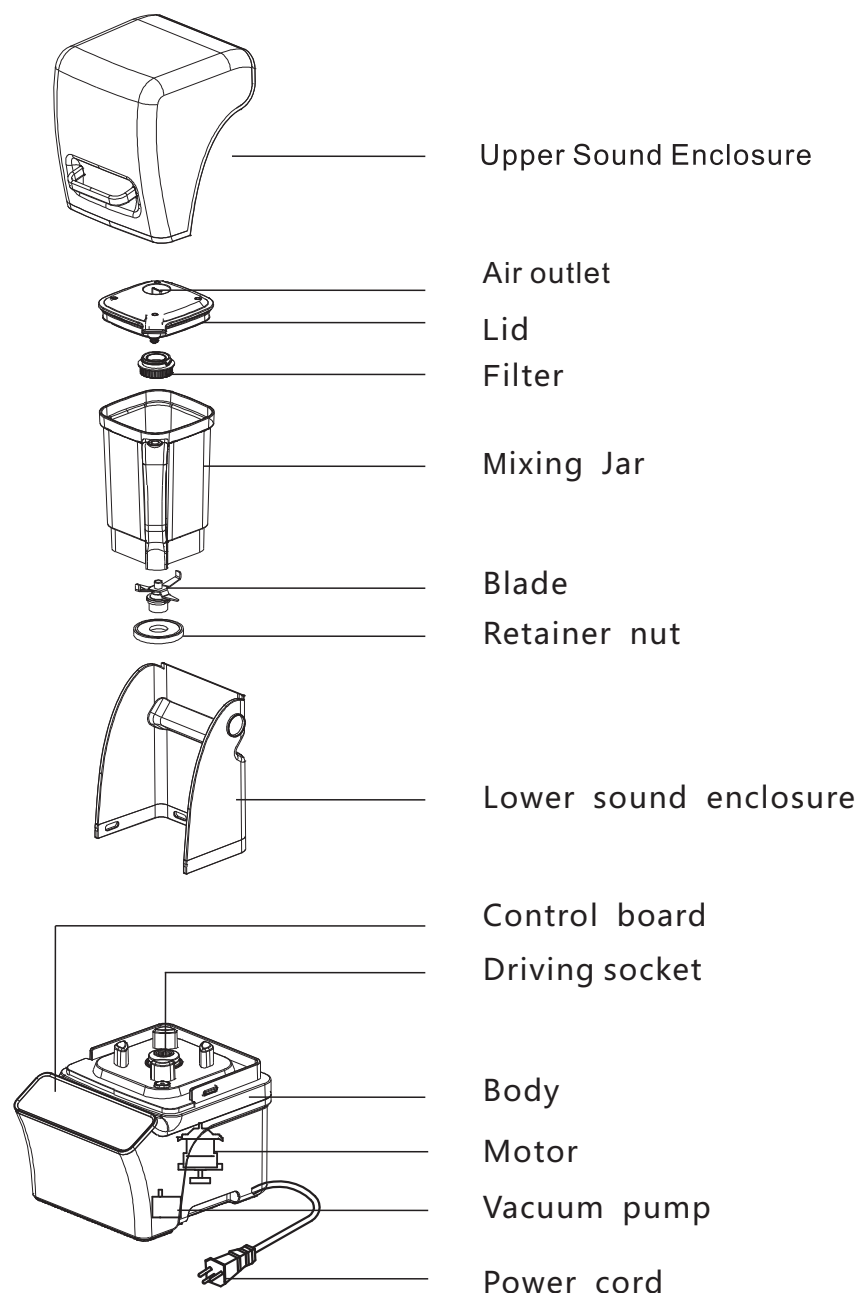
# Instruction Manual

## High Performance Commercial Blender



Thank you for choosing our product.  
Please read this instruction manual carefully before using, and keep it for future reference.

## I. Product structure



## II. CAUTION:

1. Please check whether machine has damage during transportation.
2. Check the parts, and leave aside for backup.
  - Instruction Manual x1
  - Blender x1
- Upper and Lower Sound enclosure, Lid, Mixing Jar ( including blade assembly, retainer nut), Blender Base
3. The appliance should be placed at a level, steady position, do not lean the machine. Also, do not put in shaking position or near flammable objects
4. Do not have the appliance in contact with direct sunlight or rain.
5. In order to protect human safety, the plug should have a ground connection to protect electricity leaking or electric shock.
6. Plug should plug in a ground connection socket, do not plug in a temporary socket.
7. When fill in food ingredients, do not exceed the MAX marking (1.2L) on the Jar.

## II. SAFETY INSTRUCTIONS

1. Please read all instructions and operating procedures.
2. Make sure the power is 220V-240V
3. This appliance is not intended for use by persons (including children) with reduced physical, sensory or mental capabilities, or lack of experience and knowledge, unless they have been given supervision or instruction concerning use of the appliance by a person responsible for their safety.
4. DO NOT allow children to play with or use this appliance. Keep them at a safe distance from the appliance while operating to prevent any contact leading to an accident with the machine.
5. Please be well noted that for safety reason, the appliance won't work without the Sound enclosure to be closed at position.
6. This appliance is designed for cold mixing only, do not fill in any ingredients with temperature higher than 40 degree.
7. Ensure the Lid is fit on position so as to processing vacuum pumping efficiently.
8. Do not put any metal items like knives, forks, spoons, etc. into the JAR.

9. Do not let the appliance dry-blending (run without any liquid inside the JAR) for more than 90 seconds, since dry-blending create extremely high temperature in a short time, may cause damage to the lubrication system of the machine. If necessary, you can apply dry blending for one minutes, stop for 1 minutes, then apply dry blending again.

10. In case the blade looses or broken, please stop operation the blender. Then contact with distributor or factory technician.

11. When cleaning or disassemble the parts, please remember to turn off power and unplug

12. Do not wash the Blender base with water or soak it into the water to prevent electricity shock. Do not flush water into the vacuum hole on the blender base – that may cause your appliance's malfunction.

13. Do not immerse the JAR into water or put inside a dishwashing machine, it will cause rust on the bottom of the blades assembly, then cause damage to the machine gradually.

14. Do not clean the blades with naked hands they are very sharp. Instead, use a brush or a thick cloth for cleaning.

15. When over-loading (cases like too thick food material inside the JAR), the overload protection-switch inside the appliance will shut off the power automatically. Please reduce some quantity of the foods inside the JAR, use a fan or hair dryer (cool wind) to blow toward the machine base for a couple minutes, turn on the machine once again.

16. When machine is malfunction, make sure to pull off the power plug and wait the motor temperature low down, before checking any faults.

17. If power cable damage, the replacement must be carried on only by a professional staff from manufacturing factory or relevant maintenance center.

## Instruction to the control panel



**On/Off:** Press on it to turn on / turn off the appliance.

Time



Press on it to adjust blending time.

Speed



Press on it to adjust blending speed



**Vacuum:** Press on it to start vacuum pumping only.



**Pulse:** Touch on it to enable appliance to work at maximum speed, release it to stop.



**Blending:** Touch on this button for manual control mixing job. adjust speed level by speed button +/-, and mixing time by time button +/-, then press Start/stop button to mix at your favor speed and time. Still, you can also adjust speed and time during the mixing job. Tips: this manual control mixing button doesn't vacuum pump.



**Start / Stop:** After choosing a preset program, or after setting blending speed and time (manually blending mode), you can touch on this button to let the appliance to start work; Touch again on it to pause the on-going program.



**Whole juice:** Press this button, then press **Start /stop** button, appliance vacuum pumping 1stly around 1 minutes, (pumping takes a bit different time subject to quantity of food ingredients inside the jar), then go to mixing automatically. It works at speed level 5 for 10 seconds, then transfer to speed level H for 20 seconds, then finish automatically with sounding.



**Smoothie:** Press this button, then press **Start /stop** button, appliance vacuum pumping 1stly around 1 minutes, (pumping takes a bit different time subject to quantity of food ingredients inside the jar), then go to mixing automatically. It works at speed level 6 for 15 seconds, then transfer to speed level H for 20 seconds, then finish automatically with soundings.



**Frozen dessert:** This program start to mix at speed level 5 for 20 seconds, then mixing at speed level H for 5 seconds, stop for 2 seconds, transfer to speed level 6 for 10 seconds, then transfer to speed H for 8 seconds, stop for 2 seconds, transfer to speed H for 10 seconds until finish with soundings.



**Crush ice:** Press this button, then press **Start /stop** button, appliance vacuum pumping 1stly around 1 minutes, (pumping takes a bit different time subject to quantity of food ingredients inside the jar), then go to mixing automatically. It works at speed level H for 3 seconds, stop for 2 seconds. Total 3 cycles, then finish automatically with sounding.



**Sauce:** Press this button, then press **Start /stop** button, appliance vacuum pumping 1stly around 1 minutes, (pumping takes a bit different time subject to quantity of food ingredients inside the jar), then go to mixing automatically. It works at speed level 5 for 30 seconds, transfer to speed level 4 for 30 seconds, then transfer to speed 6 for 60 seconds until finish automatically with sounding. Tips: You can press **Start /stop** button to stop mixing during it's working course, so as to get your favor tiny results.



**Grind:** Press this button, then press **Start /stop** button, appliance vacuum pumping 1stly around 1 minutes, (pumping takes a bit different time subject to quantity of food ingredients inside the jar), then go to mixing automatically. It start from speed level 1 to speed level within 5 seconds, and keep mixing at speed level H for 55 seconds until finish automatically with sounding.

#### Tips:

You can choose Vacuum button, then press on Start/stop button to process vacuum pump only.

After vacuuming and blending are finished, please lift the vacuum outlet (silicon) on the Lid for releasing the air pressure, ONLY then you can open the Lid from the Mixing jar.

## V.Operation

Before starting, check and make sure the followings:

The Jar is fit already securely and completely to Blender base.

The Lid is fit already on the JAR.

The Sound Enclosure is closed at position.

- 1.Plug on the Blender, get ready to use.
- 2.Fill food materials into the Jar, do not exceed the MAX marking (1.2L) on the Jar.
- 3.This appliance is built-in a safety device, please close the Sound Enclosure on position, then can trigger the safety switch to enable the machine to work.
- 4.Press on On/off button, all buttons on the control panel light up, you can adjust the speed and working time, then press on Start / Stop button to begin mixing job; you can adjust mixing speed and time during this manual control mixing procedure.Or you can choose a pre-set program, then press on Start/Stop button to begin mixing job.
- 5.When finish, turn off the machine, wait until the machine stop completely, then open the Sound Enclosure, remove the Jar from the blender base for ready to enjoy your tasty creations.

### ● Blending Tips

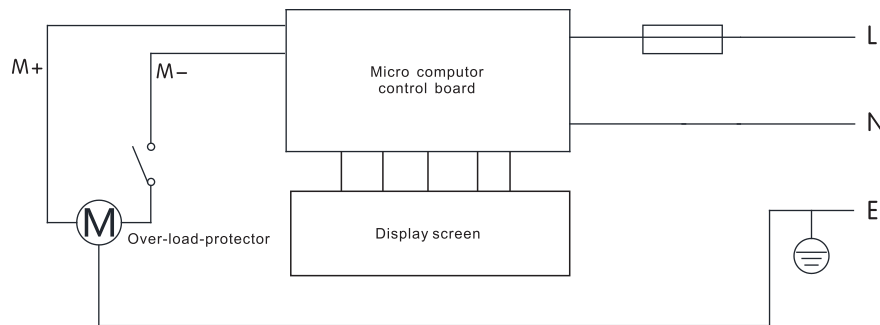
- Please make sure the Lid is fit on the Jar in good position, or the vacuum job won't be processed efficiently.
- When pouring the food materials into the Jar, please be aware of the order. Please put liquid type of food and soft food material 1stly, then put ice, then add solid food materials.
- During blending process, if the food materials are been pushed to ward the Jar wall, it means the RPM is too high, speed should be reduced. On the other hand, if the food materials are moving above the blade, it means the speed is too slow, needs to increase speed.
- This blender is equipped the overload protective switch in order to protect the motor in overload situations. Please wait until the motor has cooled off (can use fan to blow the base cooled off), then turn on the appliance to restart.If the motor doesn't have enough cooling, then the machine probably can not be started or start for a short time then got shut off again.

## VI. Cleaning and Maintenance

1. When cleaning, make sure power switch is in OFF position and pull power plug from electrical outlet.
2. Cleaning the JAR: fill with clean water, turn on the PULSE switch for 10 seconds, then shut off and flush inside Jar with tap water.
3. Use sponge or cloth to wipe the JAR and LIDS, dry them thoroughly to prevent odor or bacteria from growing.
4. DO NOT put hands into the JAR to clean the blades. The sharp blades will easily cause hurt to your hand. Do so only when the blades are disassembled from the JAR.
5. Use dry cloth to wipe the transmission axle and motor base, NEVER flush with water. In case of difficult in cleaning, use neutral detergent to wipe, and then a dry cloth to rub clean.
6. Any broken or damaged components or accessories should be replaced with original factory spare parts. Do not use poor quality replacements.
7. In case of any of the machine's malfunction, please stop operation of the blender. Then contact with distributor or factory technician.

## VIII. TECHNICAL PARAMETERS

Rated voltage: 220~240V      Jar resistance: -20°C — 90°C  
Frequency: 50/60Hz      Lowest speed without load: 12000RPM  
Power without load: 380W      Max over-current protection: 10A  
Jar capacity: 1.2L      Max over-heat protection: 125°C  
Vacuum pressure: -80Kpa



EXECUTIVE STANDARD  
IEC60335-1, IEC60335-2-14  
VIII. WARRANTY POLICY

- The motor and PCB are covered under one year warranty starting from the date of purchase. The warranty does not include consumable parts such as blades, motor brushes, etc. All consumable parts will be replaced at cost of manufacture and paid by consumer.
- Return for repair transportation costs are at the consumer's expense and are not covered by the warranty.
- Reasonable repairing and components cost will be charged, those returned blenders after the warranty period has expired.

Remarks: Repair costs are NOT covered by warranty under the following conditions:

1. Malfunction was caused by ignoring the operation or installation instructions written and illustrated in this manual.
2. Faults caused by fall, breakage or damage due to improper placement of machine or any other careless man-made condition.
3. Malfunction caused by liquids such as water, juice, etc., leaking into the motor through improper operation or maintenance.
4. Machine repaired or tampered with outside the guidelines of the manual by user or other non-authorized technician.
5. Damage caused by overworking the blender in a tough environment.