

ELECTRIC GRILL INSTRUCTION MANUAL



EG604



EG604G



EG606



EG606



EG606SG

CONTENTS

1. AIMS AND SCOPE
2. RESPONSIBILITIES
3. SIGNS
4. TECHNICAL DATA (BASIC FEATURES)
5. TRANSPORTATION AND INSTALLATION
6. GENERAL PRINCIPLES
7. INFORMATIONS AND EQUIPMENTS RELATED TO PRODUCT
8. DESCRIPTION OF DEVICE WITH EXPLANATIONS
9. REPLACING THE DEVICE AND PREPARING FOR START UP
INSTALLATION BEFORE ASSEMBLING
PREPARATION FOR START UP
FINAL CHECK BEFORE START UP
10. START UP
11. ELECTRICAL DIAGRAM
12. MAINTENANCE AND CLEANING
DAILY MAINTENANCE AND CLEANING
WEEKLY MAINTENANCE AND CLEANING
13. SAFE LIFE
14. INTERVENTION AFTER FAILURE
15. SPARE PARTS LIST

1. AIMS AND SCOPE






Descriptions for safe use and maintenance of the product

2. RESPONSIBILITIES

Responsibilities of Product's Owner: The product's owner is responsible for applying of safety rules stated in this Instruction Manual or getting them applied by delegating his authorities and risks, which may arise due to not applying. The product's owner is also responsible for the periodical maintenance of the machine.

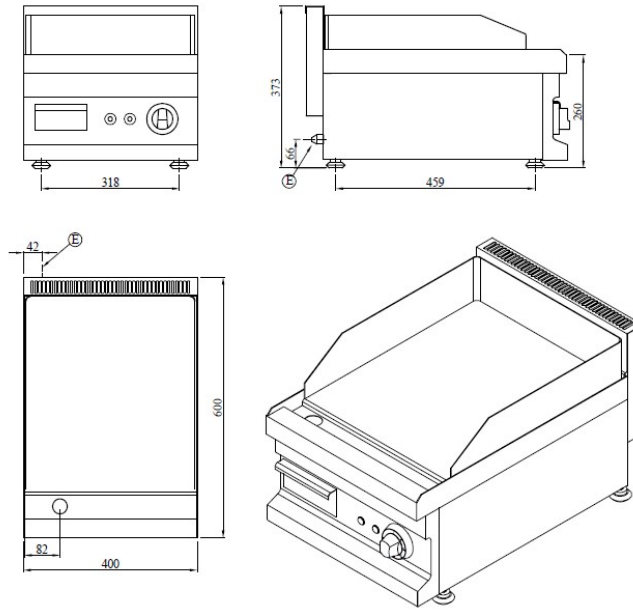
Responsibilities of the Manufacturers: The manufacturer is responsible for the risks due to manufacturing and assembling faults, even though all requirements stated in this manual have been fulfilled.

3. SIGNS

	<p>WARNING: This sign indicates that it must be complied with the instructions related to the subject; otherwise, the risky conditions, in which there can occur some damages and dangers</p>
	<p>CAUTION: This sign indicates any risky conditions, which can cause damages in material and injuring of people, provided that one does not pay attention and states that one must be careful.</p>
	<p>DANGER: This sign indicates high risky conditions in which people can be injured, provided that one does not pay attention and the rules always to be complied with.</p>
	<p>DANGER: This sign indicates high risky conditions in which the people can be injured or can die due to electrical shock.</p>
	<p>Equipotential connection terminal (If necessary, it must be connected to other equipment to make equal the potential)</p>

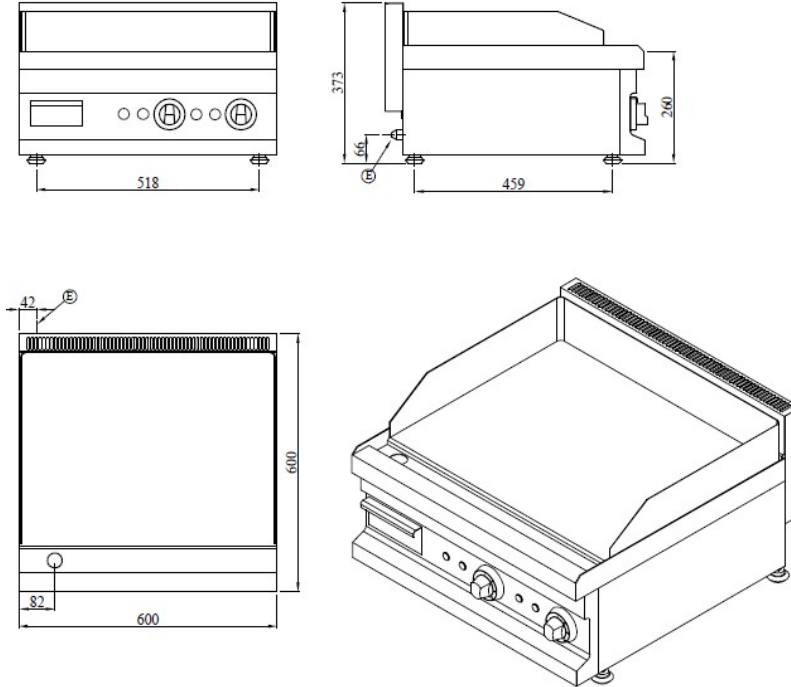
4. TECHNICAL DATA

EG604, EG604G



E-ELEKTRİK KABLO GİRİŞİ
(POWER CABLE INLET)

EG606, EG606SG, EG606G







E-ELEKTRİK KABLO GİRİŞİ
(POWER CABLE INLET)







-Table 1 -

MODEL	Ölçü:ExBxY	VOLTAJ	GÜÇ	BESLEME KABLOSU
EG606/G/SG	600X600X265	380-400 V ~	5,4 kW	5X2,5 mm ²
EG604/G	400X600X265	380-400 V ~	4,05 kW	5X2,5 mm ²

5. TRANSPORTATION AND INSTALLATION











	During transportation, take necessary precautions against the risk of falling down and being turned upside down for the product.
	Place the product onto a flat and solid ground.
	Do not install the product near the flammable and explosive materials and do not keep any flammable and explosive material near the furnace, while it is working.
	Keep surely a fire extinguisher near the furnace and check whether the periodical checking of the fire extinguisher has been implemented or not.

6. GENERAL PRINCIPLES

-  The users agree and accept to be in conformity with all requirements included in using manual, otherwise the machine shall be deemed OUT OF GUARANTEE COVERAGE.
-  The user also accepts that he/she was fully informed about the limited guarantee liability.
-  Any living body or any object should not be placed on machines. In addition, any living body should not be put inside the machines.
-  It should not be allowed the children or any other unauthorized persons to operate the machines.
-  Any electrical operating machines should be cleaned after the required electrical connections switched off.
-  The electrical products should never be operated if any sufficient grounding installation had not been practiced in addition; the LEAK CURRENT RELAY and fuse groups had not been installed in control box supplying the electrical energy to the machine.

MODEL	Kaçak Akım Rölesi
EG606/G/SG	3x16 A – 30 mA
EG604/G	3x10 A – 30 mA

- Table2 -

-  The cover of any machine should not be opened during the period of working.
-  Be careful not to squeeze your hands while closing the covers.
-  The machines and covers should not be treated as step or ladder in any case.
-  The electrical devices should never be washed in the manner of spraying water. They should be cleaned by means of rubbing after switching the power off the power had been switched off.
-  Any scratchier or stripper tools should not be used during the cleaning.
-  This manual verifies all machines were tested and the required security controls were done in due diligence so delivered under operating conditions.
-  Use rubber gloves during the cleaning and maintenance practices procedures
-  Do not remove the labels and panels of the devices.
-  In order to ensure efficient operation of the machines including electrical water heating process and to minimize the energy costs, you should provide the machine with 50 °C water. In addition, softened water under 15 °Fr hardness should also be used to expand the life of your machines. If you do not have such required softened water then you should use a separate water softener device.
-  The manufacturer shall not be responsible for any possible printing mistakes included in both manual and machine introduction leaflet.

- ❑ The manufacturer reserves the right to make any modification or amendments partially or entirely on any part of machine, if it considers necessary or beneficial or to be in favor of user or product without any previous notification. Besides, the producer guarantees that the fundamental functionality and security specifications of the machines should also be kept as required
- ❑ In the event of any fault, switch off all electric/Water connections then apply to the authorized service staff.
- ❑ Power cord must be min. H05RN-F type
- ❑ Grounding line must be continuously checked.
- ❑ We recommend installing the machine under a range hood so that all fumes are removed quickly as possible.
- ❑ If the appliance is to be installed near the wall etc. This should be non-inflammable material or covered with non-inflammable material or it is necessary to keep machine far at least 100 mm

7. INFORMATIONS AND EQUIPMENTS RELATED TO PRODUCT

- A. Description Catalogue
- B. User/Maintenance/Assembling Manual

Dear Customers, please check the above written auxiliary equipment to be given with the machine on delivery. If you notice any damage or loss occurred during the transportation then you should request the transporter to issue any written report including the relevant damage or loss.

UPON REQUEST

- A. Stainless steel grill plate

8. DESCRIPTION OF DEVICE WITH EXPLANATIONS

The device have wholly manufactured regarding to hygienic standards.

Outside, inside and all surfaces contacting to the food of the device have been manufactured completely stainless steel material.

The legs are in adjustable feature and manufactured by stainless steel material.

For the insulation purposes, glass- wool and stone-wool have been used. Thanks to this application, wasting of energy can be able to prevent.

Electrical operated devices have been secured completely by means of thermal and electrical relays.

Accesses to control panel, maintenance and checking have been facilitated.

Electrical components and cable are complied with the relevant standards.

9. REPLACING THE DEVICE AND PREPARING FOR START UP

INSTALLATION BEFORE ASSEMBLING

- ❑ Open the packing of the device and remove all protective tapes.
- ❑ Opening the cover of the device, take out the instruction manual.
- ❑ Place the devices with adjustable legs by adjusting their legs and the device with fixed legs by aligning the ground.
- ❑ Make the grounding connection thoroughly.
- ❑ Be sure that the energy supplied.
- ❑ Authorized and certificated people must make all these connection.
- ❑ Now, your device is ready for use.

DISCONNECTION : Disconnection of the machine is to do via disconnect all poles (R,S,T,N).

PREPARATION FOR START UP

- ▣ Assuming that electrical installation connections have already made by competent technicians, the user must implement the following simple inspections
- ▣ Be sure that in electrical operated devices, the electricity current has been supplied in adequate features as stated in TECHNICAL DATA catalogue and grounding connection has been complemented. .
- ▣ Read the instruction and maintenance manual absolutely.

FINAL CHECK BEFORE START UP

- The users should fulfill the following last-controls by accepting the required couplings of fresh water, electric, wastewater , installations to be carried out by the authorized technicians;
- You must be sure that the power supply and grounding installation are ensured as required in leaflets of electrical equipment.
- You must be sure that the feeding water has been installed and the water vane is turned on.
- You must be sure that the wastewater installation was done properly and discharging hose was coupled with discharging pipe tightly.

10. START UP

- ▣ The figures of control panel on the devices have been shown. According to these figures, as earlier mentioned, the device, whose electrical connection was made fully and correctly, is operated by turning on control switches.
- ▣ Turn on the thermostat to any position between 50 C°-320 C°; pilot lights will com on; the green one shows that the appliance is on the yellow one shows that the resistances are on.
- ▣ When the thermostat lamp lights off, it means that the heater has reached desired temperature
- ▣ While the devices are in operation, do not keep burning material (plastic bags, table napkin, clothe etc.) near them.
- ▣ After using the device, bring all control switches in to "0" position and switch off electric energy.
- ▣ While device is in operation, the device, heater, top side and front panels reach to high temperature. Do not touch these parts in no way.
- ▣ Thermostat control switch for 50-320 ° C is set to desired temperature the yellow signal lamp will come on .
- ▣ When the thermostat yellow singnal lamp lights off, it means that the heater has reached desired temperature.

CONTROL PANEL

EG604/EG604G



A- 50-320 ° C thermostat **B-** Energy signal lamp **C-** Heater on signal lamp

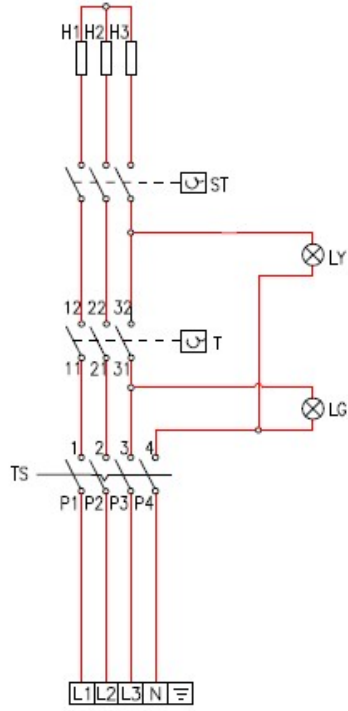
EG606/EG606G/EG606SG



A-Right side 50-320 ° C thermostat **B-** Right side Energy signal lamp **C-**Right side Heater on signal lamp
D-Left side 50-320 ° C thermostat **B-** Left side Energy signal lamp **C-**Left side Heater on signal lamp

11. ELECTRIC DIAGRAM

EG604/EG604G

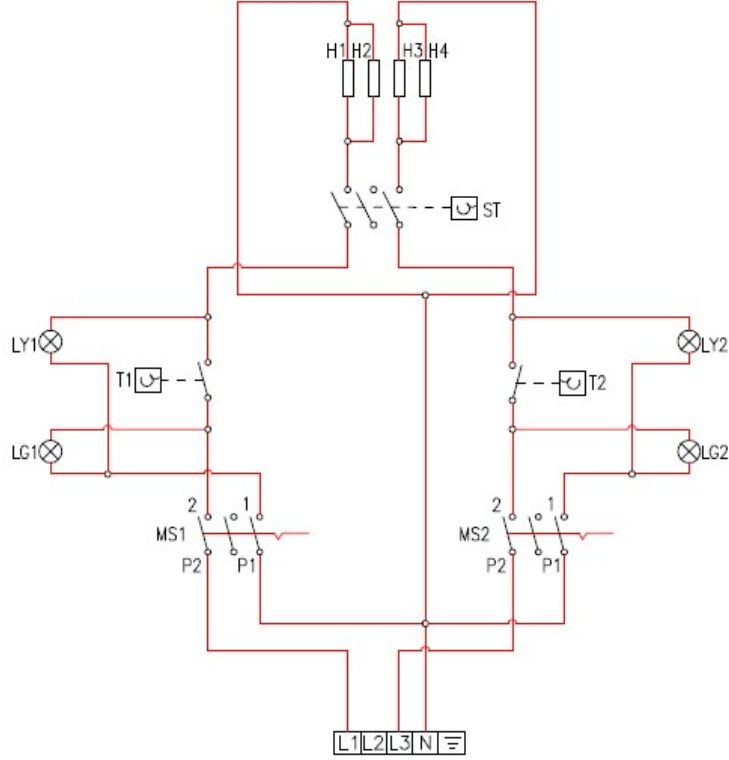


- ① TS - TRIFAZE SALTER
- ② LG - LAMBA (YEŞİL)
- ③ LY - LAMBA (SARİ)
- ④ H - ISITICI 3x1350W
- ⑤ T- TERMOSTAT (50-300°C)
- ⑥ ST- LİMİTÖR (350°C)

- TS - SWITCH (4 POLES)
- LG - LAMP GREEN
- LY - LAMP YELLOW
- H - HEATER 3x1350W
- T- THERMOSTAT (50-300°C)
- ST- SAFETY THERMOSTAT (350°C)

380V 50Hz

EG606/EG606G/EG606SG



- ① MS - MONOFAZE SALTER
- ② LG - LAMBA (YEŞİL)
- ③ LY - LAMBA (SARI)
- ④ H - ISITICI 4x1350W
- ⑤ T- TERMOSTAT (50-320°C)
- ⑥ ST- LİMİTÖR (350°C)

- MS - MAIN SWITCH
- LG - LAMP GREEN
- LY - LAMP YELLOW
- H - HEATER 4x1350W
- T- THERMOSTAT (50-320°C)
- ST- SAFETY THERMOSTAT (350°C)

380V 50Hz

12. MAINTANCE AND CLEANING

Implement the following periodical maintenance so that the product should work in safe and long life

DAILY MAINTANCE AND CLEANING

- ❑ Device must be cleaned every day after use, after being sure that it is completely cooled down.
- ❑ Cleaning must be made by a clean wet cloth by wiping the device. It is recommended that stainless steel surfaces should be wiped by inox cleaners.
- ❑ During cleaning, do not use sharp edged, cutting and drilling tools such as scraper, emery in no way.
- ❑ Do not use abrasive spongers or scoirers of any type. Corresive cleaners such as owen sprays and stain removers should also not be used.

WEEKLY MAINTANCE AND CLEANING

- ❑ Cleaning must not be done by spraying the water onto the device in no way.
- ❑ If the device is used together with another device side by side, both devices must be cleaned parting them from their jointed places without damaging the electrical connections.

13. SAFE LIFE

The safe life of the product is 5 years.

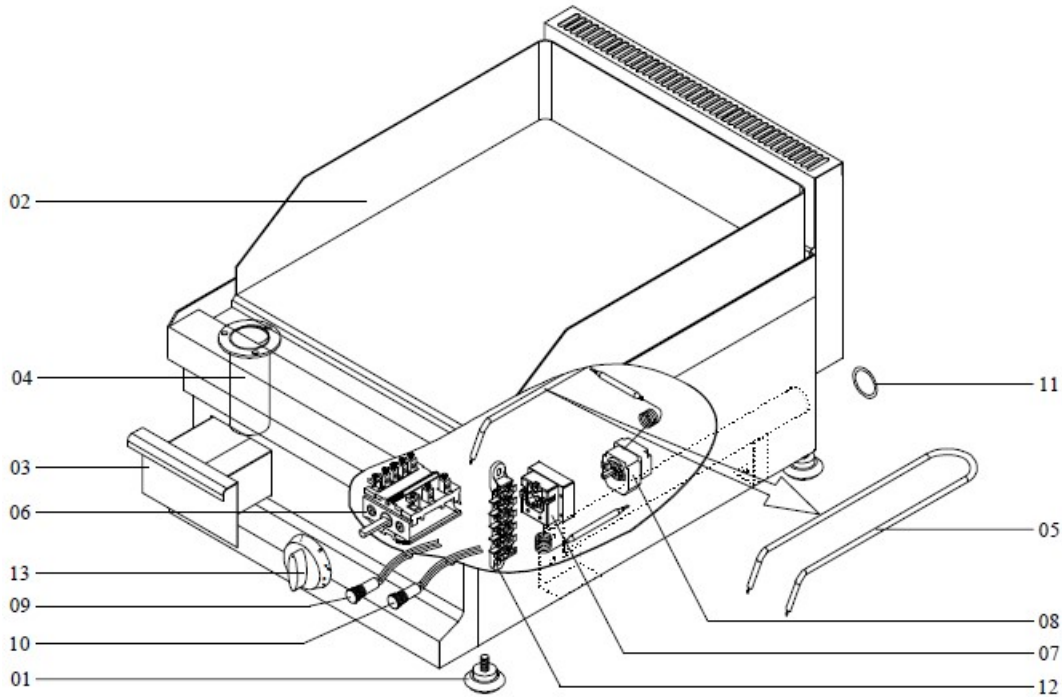
14. INTERVENTION AFTER FAILURE

FAILURES / CAUSES

- **There is no cooking and heating.**
 - 1) Be sure that the energy supplied to the device.
 - 2) Be sure that 0-1 switch is in open position.
 - 3) Be sure that you opened the correct switch.

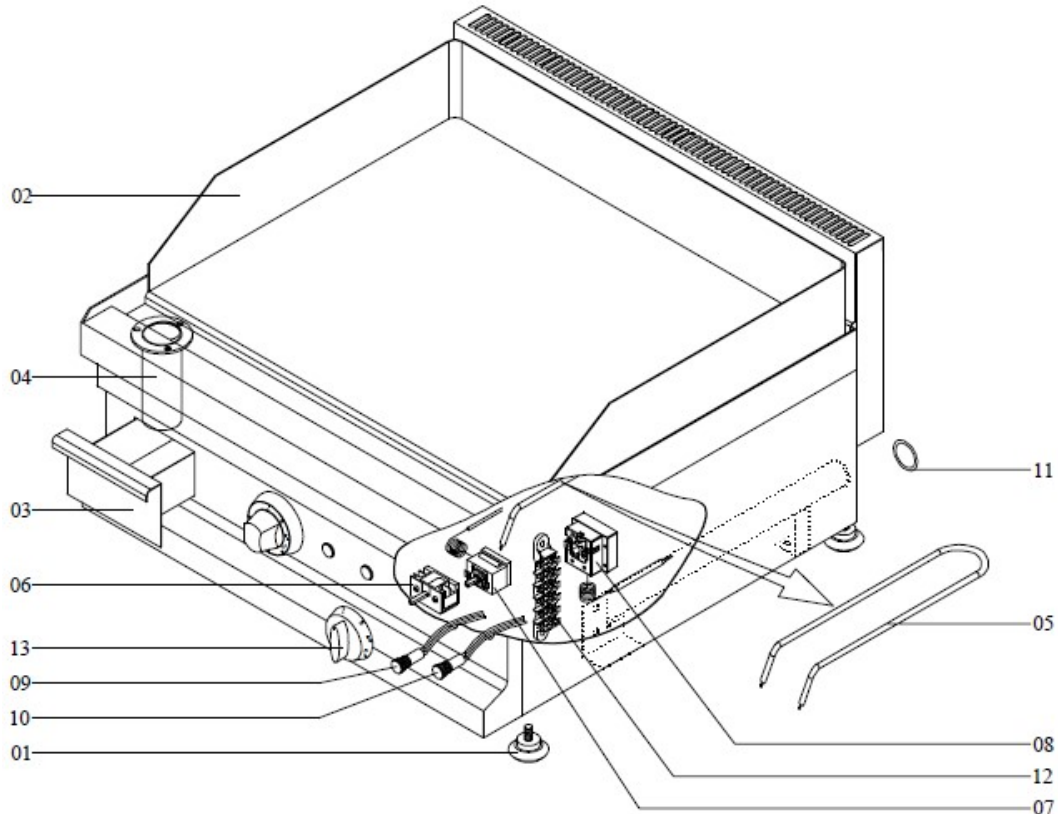
15-SPARE PARTS LIST

EG604, EG604G



NO	DESCRIPTION
01	Foot
02	Splash guard
03	Grease Tray
04	Oil Drain
05	Heating Element
06	Breaker
07	Thermostat
08	Limiter
09	Signal Lamp
10	Signal Lamp
11	Cable Fitting
12	Connector
13	Knob

EG606, EG606SG, EG606G



NO	DESCRIPTION
01	Foot
02	Splash guard
03	Grease Tray
04	Oil Drain
05	Heating Element
06	Breaker
07	Thermostat
08	Limiter
09	Signal Lamp
10	Signal Lamp
11	Cable Fitting
12	Connector
13	Knob

