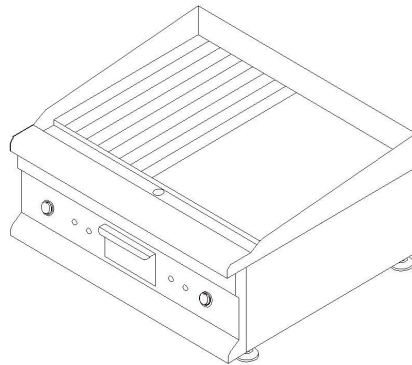
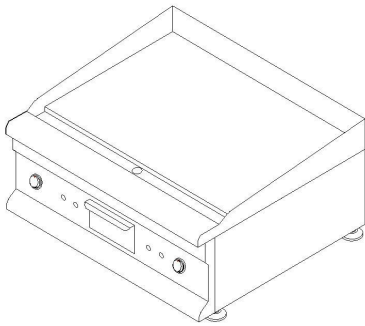
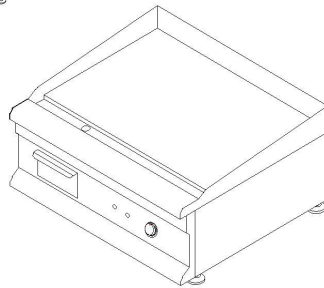
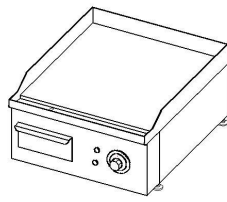


# Electric Griddle/Grill



- ★ All stainless steel construction
- ★ Automatic thermostat
- ★ High-efficient,easy operable&safe
- ★ Durable and elegant design

# **EG Series of Electric Griddle/Grill**

## **I. Introduction:**

WG Series of Electric Griddle/Grill is the new electrometer product which is designed and developed with advance technology. It adopts the international popular style, body made by good quality stainless steel, luxurious and good-looking. The products are equipped with good quality electrical elements, so that they are energy-saving and safety. Be provided with thermostat function, easy control. WG Series of Electric Griddle/Grill is with comprehensive functions and high quality, therefore, it is the best choice for the hotels, restaurants, , etc.

## **II. Safety instructions**


**WARNING: To protect against injury, basic safety precautions should be observed including the following:**

### **READ AND FOLLOW ALL SAFETY INSTRUCTIONS**

- 1. Read all instruction before installation and using**
- 2. The appliance is intended for commercial use only, and not for household and industrial use.**
- 3. This appliance is not intended for use by persons (including children) with reduced physical, sensory or mental capabilities, or lack of experience and knowledge, unless they have been given supervision or instruction concerning use of the appliance by a person responsible for their safety.**
- 4. Children should be supervised to ensure that they do not play with the appliance.**
- 5. If the supply cord is damaged, it must be replaced by the manufacturer, its service agent or similarly qualified persons in order to avoid a hazard.**
- 6. Do not use or store the appliance outdoor and where it will be exposed to the weather or to temperature below freezing.**
- 7. Always switch off the appliance and set the disconnection device in the fixed wiring in OFF position after each use of appliance and before cleaning and maintenance.**
- 8. Other than cleaning mentioned in this instruction manual, no additional maintenance or servicing is needed**
- 9. Where this appliance is to be positioned in close proximity to a wall, partitions, kitchen**

furniture, decorative finishes, etc., it is recommended that they be made of noncombustible material; if not, they shall be clad with a suitable non-combustible heatinsulating material, and that the closest attention be paid to fire prevention regulations.

10. **DO NOT DISMANTLE OR REPAIR THE APPLIANCE BY YOURSELF** - Repairs, when necessary, must be performed by authorized professional or the agent
11. **DO NOT TOUCH HOT SURFACE** — The temperature of cooking surface maybe higher when the appliance is operating
12. **DO NOT PALCE THE APPLIANCE ON UNSTABLE SUPPORT OR INCLINED PLANE**
13. **ALWAYS CHECK THE POSITION OF THE CONTROL SWITCH WHEN YOU HAVE FINISHED COOKING TO MAKE SURE ALL SWITCH ARE IN OFF POSITION**
14. **DO NOT HEAT UNOPENED FOOD CONTAINERS** — Build-up pressure may cause container to burst and render injury
15. **DO NOT STORE FLAMMABLE MATERIALS IN THE OVEN OR NEAR THE OVEN**
16. **DO NOT USE THE APPLIANCE IN A DUSTY ENVIRONMENT OR IN AN EXPLOSIVE ATMOSPHERE (INFLAMMABLE GASES, VAPOURS, VAPOURS FROM ORGANIC SOLVENTS).**

Correct Disposal of this product	
	This marking indicates that this product should not be disposed with other household wastes throughout the EU. To prevent possible harm to the environment or human health from uncontrolled waste disposal, recycle it responsibly to promote the sustainable reuse of material resources. To return your used device, please use the return and collection systems or contact the retailer where the product was purchased. They can take this product for environmental safe recycling.

### **III. Installation**

**WARNING: THE INSTALLATION SHOULD BE PERFORMED BY AUTHORIZED PROFESSIONAL ONLY AND AN ALL POLES DISCONNECTION DEVICE MUST BE INCORPORATED IN THE FIXED WIRING IN ACCORDANCE WITH THE NATIONAL WIRING RULES**

1. **Before installing the appliance for the first time, remove all packing and foreign materials from the appliance and dispose packaging material safely according to local regulation. Any**

material of this sort left in the appliance may melt and/or burn when the appliance are used.

2. Check for visible damage of the appliance and the power cord. Do not use the appliance any more if you find the power cord or some parts of this product are damaged.
3. Check the supply voltage from the fixed wiring matches the value indicated on the appliance. Do not connect the appliance to the fixed wiring when the voltage does not match the rated value indicated on the appliance
4. Place the appliance in a location with superior ventilation system and far away from tinder and explosive object, and place the appliance on a smooth horizontal and stable surface, and Keep good heat dissipation — When operating the appliance, keep at least 50mm space on all side of the appliance to allow adequate air circulation.
5. Connect the appliance to the fixed wiring in accordance with the national wiring rules and connection diagram in the appliance

#### **IV. Operating Instruction:**

Before use, please check whether the voltage of power supply is in conformity with that in the value indicated on the marking plate.

##### **Operating steps:**

1. Switching on the appliance by connecting the disconnection device in the fixed wiring, and then the indication light is on green to indicate the appliance is in STAND BY MODE. Adjust the working temperature to the required one, now working light is on yellow, the heating plate is working. After tested, the user can re-adjust the thermostat knob, select the required temperature for working again.
2. When the temperature reaches the setting one, the yellow light will turn off, then it will turn into the thermostat state, the user can start to work. When the temperature comes down, the thermostat will start working again automatically. This process is cycling repeatedly, guarantee the temperature is on the set up scope.
3. The grill with two thermostats, the left one is controlling the left heating plate's temperature

and the right one is controlling the right heating plate, user can select each or both to use.

4. When the food is ok, the user can eat it after take out by the chopsticks, avoid to use metal to roll up or take out the food, otherwise it will hurt the surface of the heating plate.
5. The box of bottom can be collected the remaining oil of the heating plate expediently, it should be cleaned out frequently to avoid coming out.

## V. Technical Specification:

Model	Specification	Power	Input Power	Dimension	Net Weight
EG-360	All smooth	220~240V/50Hz	2 KW	360*450*200mm	13.5kg
EG-500	All smooth	220~240V/50Hz	3KW	500*540*325mm	38kg
EG-548-1	All smooth	220~240V/50Hz	3KW	560*500*240mm	20kg
EG-548-2	1/3 Ribbed griddle plate	220~240V/50Hz	3KW	560*500*240mm	21kg
EG-820-1	All smooth	220~240V/50Hz	4.4KW	730*550*240mm	26kg
EG-820-2	1/3 Ribbed griddle plate	220~240V/50Hz	4.4KW	730*550*240mm	27kg

## VI. Clean, Repair and Maintenance:

WARNING: DISCONNECT THE APPLIANCE BY SETTING THE DISCONNECTION DEVICE IN THE FIXED WIRING IN OFF POSITION BEFORE CLEANING OR MAINTENANCE

THE APPLIANCE SHOULD NOT BE CLEANED WITH A WATER JET AND DO NOT IMMERSE THE APPLIANCE OR PART OF THE APPLIANCE IN WATER FOR CLEANING

### 1 CLEAN

After use for each time, please clean it with soft dry fabric, avoid using sharp metal, and strictly prohibit cleaning with water.

The remaining oil of the box in the bottom should be cleaned out after each use.

### 2 MAINTENANCE

The thermal protective device will operate and cut off the heating elements when the temperature is too high while using. Please check the machine after the power is cut off and the oil is cooled

down to room temperature. Then open the cover of the reset button behind the machine and press the reset button to restart the machine.

## VII. Circuit Diagram:

