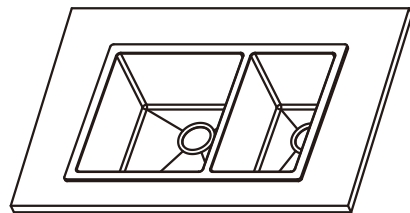
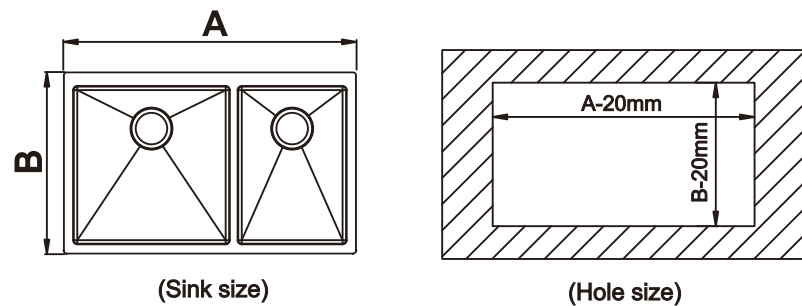


Adexa

R10 HANDMADE SINK TOPMOUNT INSTALLATION

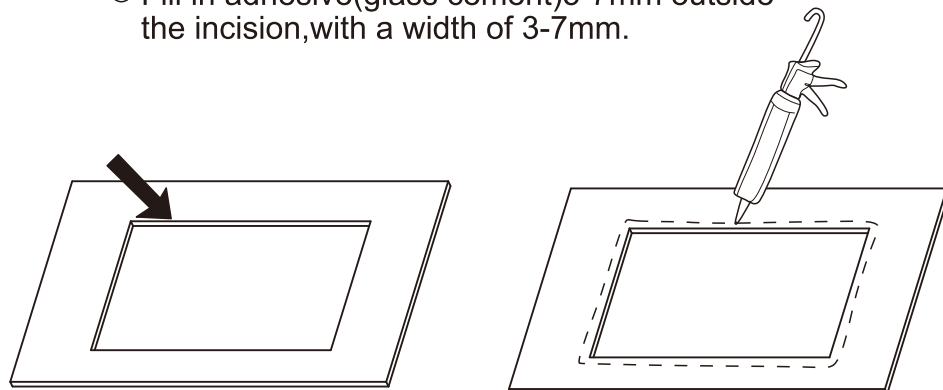


Step 1: Measure the product size and calculate the hole size.

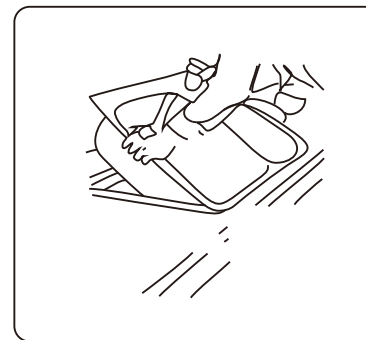


Step 2: ① Draw the cutting line and cut the install hole;

② Fill in adhesive(glass cement)5-7mm outside the incision,with a width of 3-7mm.

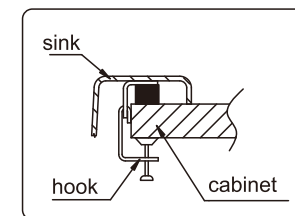
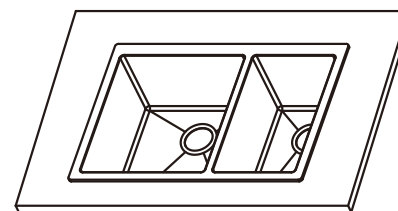


Step 3: Put the stainless steel sink in slowly.



Step 4: ① Check again the position of the sink on the counter and glue appropriate glass cement at the edge of the sink.

② Fasten the clips to fix the sink.
(Note: Clips are not necessary for thick-panel sink)



Adexa Nordic AB
Website: adexanordic.se
Email: support@adexanordic.se